

USB

chargeable  
battery

## Temperature, humidity & CO<sub>2</sub> logger E2228L



### Features

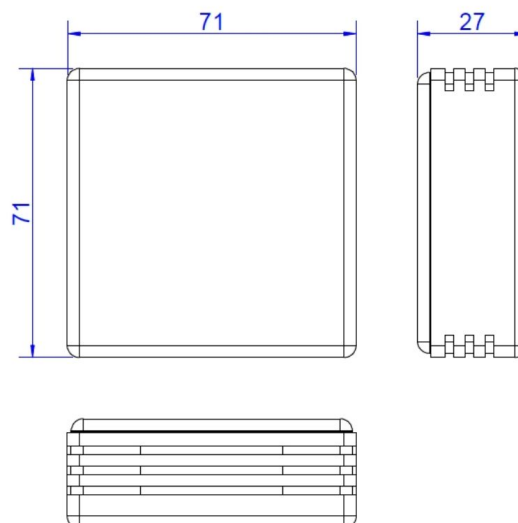
- Logging of temperature, humidity and CO<sub>2</sub>
- Ultra-low power consumption
- Memory for ca 150 000 (3×50000) measurements
- Wall or desk mounting
- USB interface

### Description

Air temperature, relative humidity and CO<sub>2</sub> logger E2228L is an easy to use device intended for operating in commercial, residential and public indoor spaces.

The device provides autonomous logging of air temperature, relative humidity and carbon dioxide concentration in a nonaggressive atmosphere.

The logger uses the latest achievements in digital humidity and temperature sensing and low-power NDIR CO<sub>2</sub> sensing technologies, providing excellent accuracy and reliability and unique long-term portable operation.



### Specifications

|                        |  |
|------------------------|--|
| Ranges                 | 0...5000 ppm CO <sub>2</sub> ,<br>0...100 %RH, -10...+50 °C  |
| Accuracy               | CO <sub>2</sub> : ± (50 ppm + 3% of reading)<br>In the range of 300~5000 ppm;<br>RH: ±2,5 %;<br>Temperature: ±0.3 °C |
| Logger internal memory | ca 150 000 (3×50000) measurements  |
| Logging interval       | Adjustable from 20 s to 12 hours   |
| Operating conditions   | Indoor spaces, dry rooms, -10...+50 °C   |
| Power                  | Rechargeable 18650 battery   |
| Enclosure              | slotted white plastic  |
| Dimensions             | 71×71×27 mm  |
| PC interface           | Mini-USB   |

