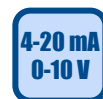


Halocarbon Refrigerants Detector-Transmitter E2608-HFC



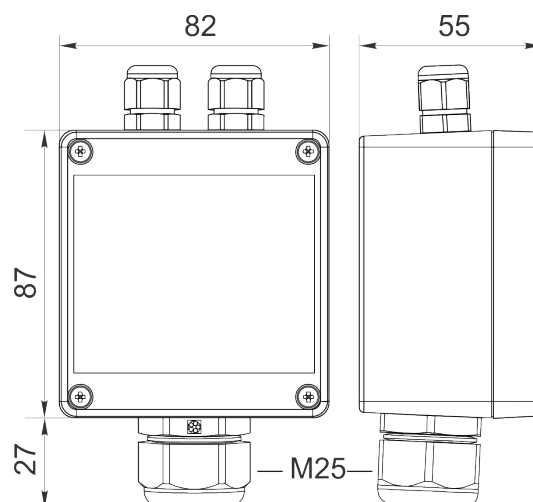
Features

- Wall-mount or duct-mount version
- Industrial IP65 housing
- Two analog outputs settable to 4-20 mA or 0-10 V
- RS485 Modbus RTU digital interface
- Two relays for alarm / ventilation control
- Attached or remote sensor

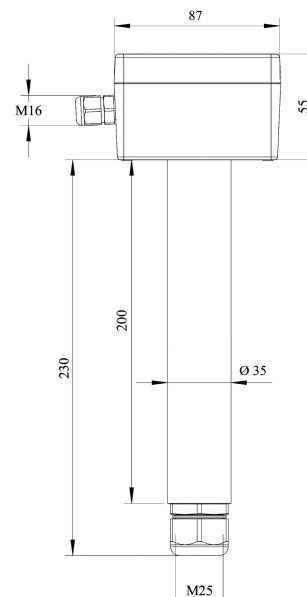
Specifications

Detected gases	R-12, R-123, R-125, R-134a, R-143, R-22, R-404a, R-407c, R-410a etc
Sensor type	Metal-oxide semiconductor
Sampling method	Diffusion
Typical detection range	0...1000 ppm
Resolution	1 ppm
Response time T90	<120 s
Sensor lifetime	> 5 years
Calibration interval	12 months
Signal update	Every 1 second
Self-diagnostics	Full functionality check at start-up
Warm-up time	≤ 1 min
Power supply	11...30 VDC (default), 24 VAC or 90...265 VAC as options
Power consumption	< 2 VA
Digital interface	RS485, Modbus RTU protocol
Analog outputs	2 × 4-20 mA / 0-10 V, user settable
Output scale width	Recommended: 20-100% of the range; > 10 × resolution in any case
Output relays	2 × SPST relays (closing contact), 250 VAC / 30 VDC, 5 A max
Default alarm setpoints	RE1 (LOW): set 100; release 80 ppm RE2 (HIGH): set 500; release 400 ppm
Enclosure	Light beige ABS plastic, wall mount, protection class IP65
Dimensions	H87 × W82 × D55 mm
Remote sensor probe	Protection IP65, shielded cable default cable length 3.0 m
Operating environment	Industrial indoor and outdoor locations
Operating conditions (MOS)	-30...+60 °C 95% RH non-condensing; 0.9...1,1 atm Explosion-safe areas Normal ambient oxygen level No strong mechanical shock, vibrations or EMI; Avoid exposure to corrosive gases or silicone containing products.

Wall mount version



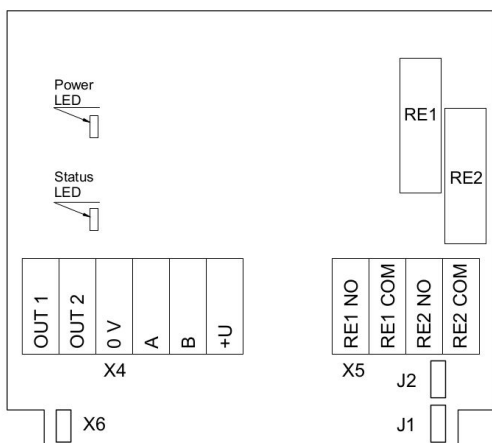
Duct mount version



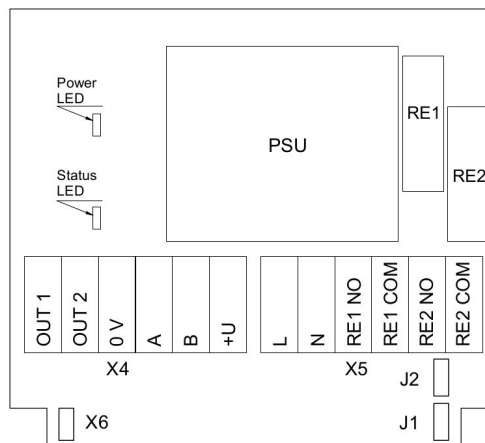
Ask for other versions or custom designed products



Connection diagrams



Version without PSU



Version with PSU

Jumpers

J1	OUT1 type (open: 4-20 mA; closed 0-10 V)
J2	OUT2 type (open: 4-20 mA; closed 0-10 V)
X6	Reset Modbus network parameters to default

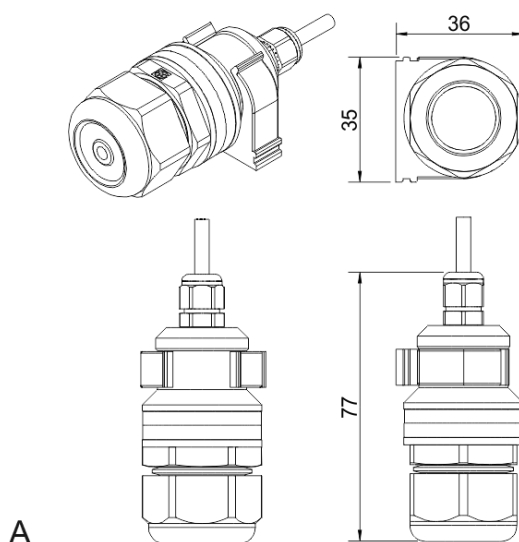
X4 terminals

OUT1	4-20 mA / 0-10 V output
OUT2	4-20 mA / 0-10 V output
0V	0 V / 24 VAC Neutral (optional)
A	RS485 A / Data +
B	RS485 B / Data -
+U	+24 VDC / 24 VAC Phase (optional)

X5 terminals (optional)

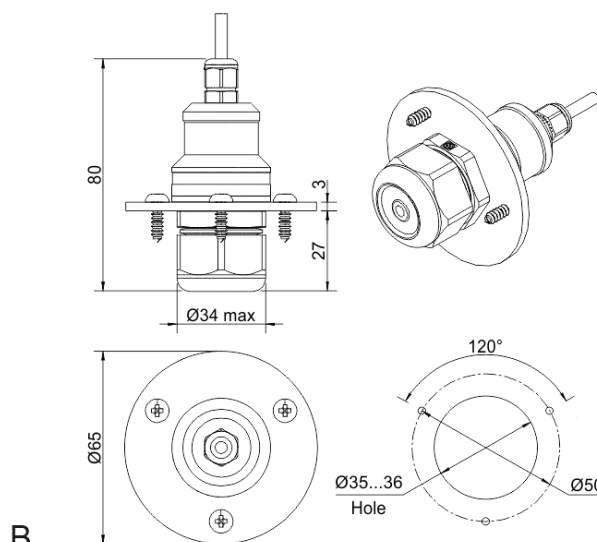
L	90...265 VAC Phase
N	90...265 VAC Neutral
RE1 NO	Relay 1, normally open terminal
RE1 COM	Relay 1, common terminal
RE2 NO	Relay 2, normally open terminal
RE2 COM	Relay 2, common terminal

Remote probe



A

Wall mount remote probe with fixing clamp (default version)



B

Remote probe with rubber flange and three self-tapping screws (on request)

