



Nitrous Oxide Detector-Transmitter E2638-N2O



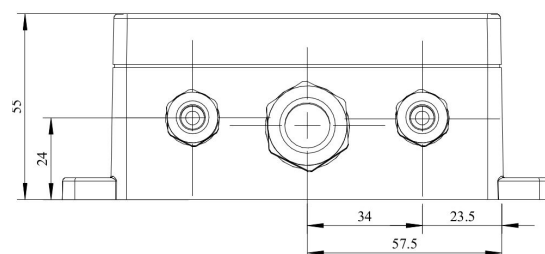
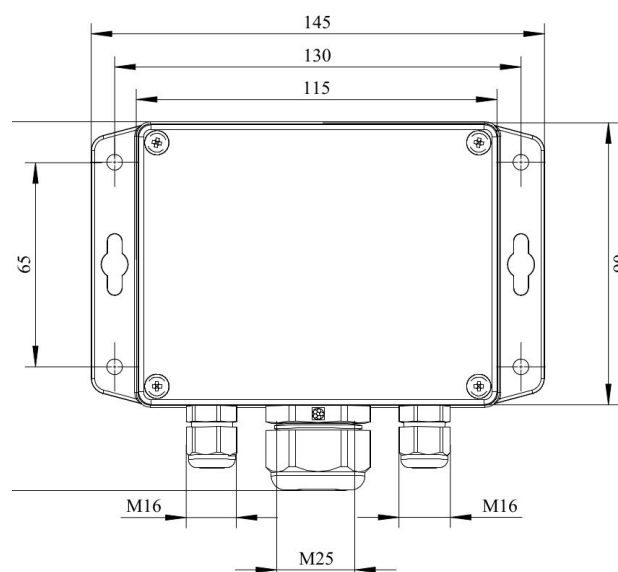
Features

- Accurate and stable measurement
- Easy to install robust enclosure
- Two analog outputs settable to 4-20 mA or 0-10 V
- RS485 Modbus RTU digital interface
- Relay option
- Attached or remote sensor
- LCD indicator option

Specifications

Calibration	Nitrous oxide N ₂ O
Sensor type	Optical (NDIR)
Sampling method	Diffusion
Typical detection range	0...1000 ppm
Maximum overload	2000 ppm
Resolution / digital unit	1 ppm
Response time T90	< 30s
Operating temperature	-20 °C to +50 °C
Signal update	Every 1 second
Maintenance interval	12 months
Sensor lifetime	> 5 years
Self-diagnostics	Full functionality check at start-up
Warm-up time	≤ 1 min
Power supply	11...30 VDC, 24 VAC or 90...265 VAC as options
Power consumption	< 2 VA
Digital interface	RS485, Modbus RTU protocol
Analog outputs	2 × 4-20 mA / 0-10 V, user settable
Output scale width	Recommended: 20-100% of the range; > 10 × resolution in any case
Enclosure	Grey ABS plastic, wall mount, protection class IP65
Dimensions	H90 × W145 × D50 mm (housing only) H140 with cable glands
Operating environment	Industrial indoor and outdoor locations
Operating conditions	(operating temperature is specified above) 0 to 95% RH non-condensing; 0,9...1,1 atm; Explosion-safe areas Non-aggressive atmosphere

Dimensions



Additional options

Remote sensor probe	Protection IP65, shielded cable default cable length 3.0 m
Self-test button	Triggers both relays simultaneously; push-button switch
Relay outputs	
Output relays	2 × SPST relays (closing contact), 250 VAC / 30 VDC, 5 A max
Default alarm set-points	Determined by user within 5-95% of the range

Alarm signalling

Visual	Red and green LEDs
Acoustic	Buzzer 85 dB

LCD indicator

Operating temperature	±0...+50 °C
Display dimensions	72 × 36 mm
Number of digits	3.5 digit 7-segment
Character height	14 mm
Other features	Backlight

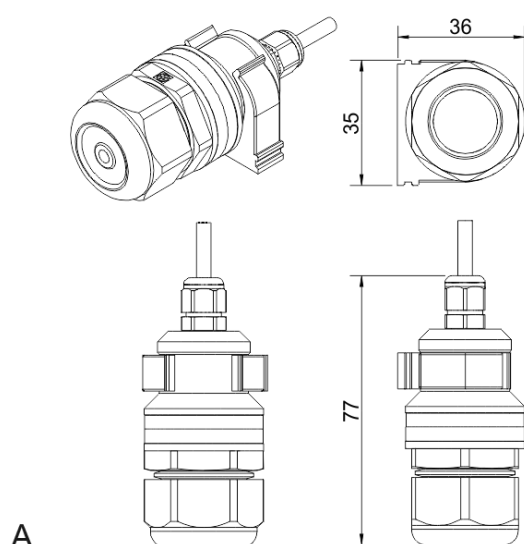
NOTE! Only second analog output (OUT2) is available for a version with LCD.

NOTE! LCD and LEDs can not be chosen simultaneously.

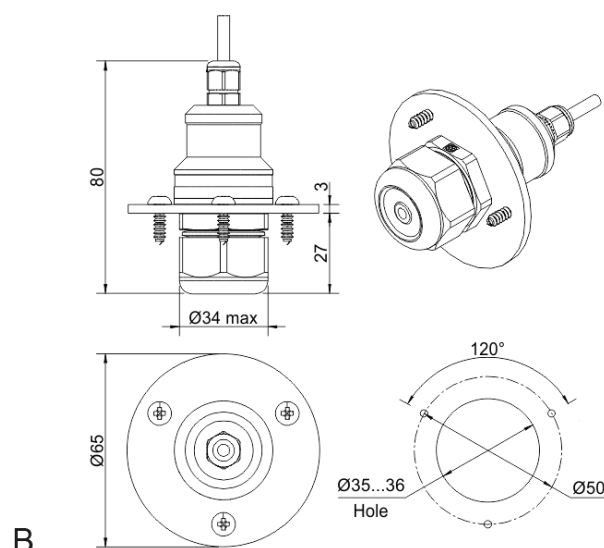
Version with LCD indicator



Remote probe



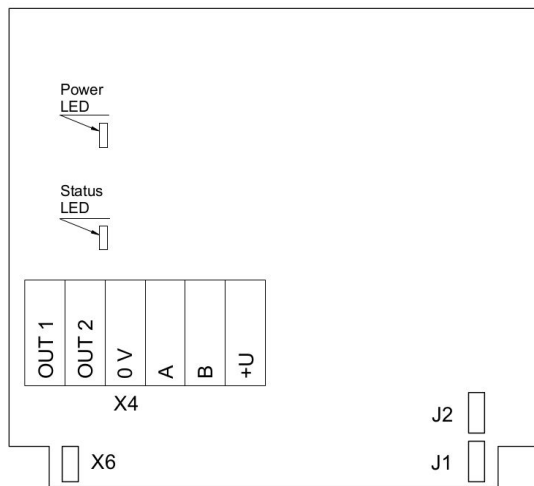
Wall mount remote probe with fixing clamp (default version)



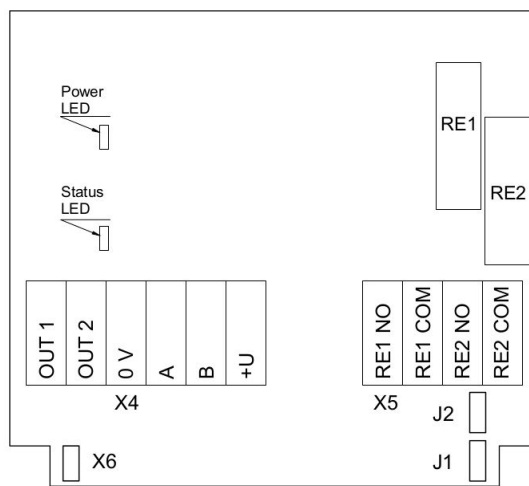
Remote probe with rubber flange and three self-tapping screws (on request)



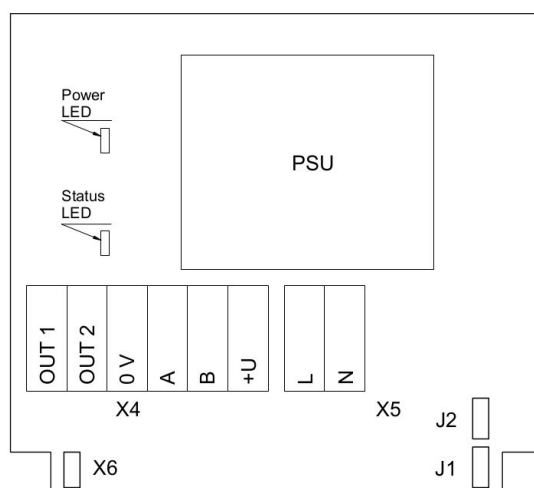
Connection diagrams



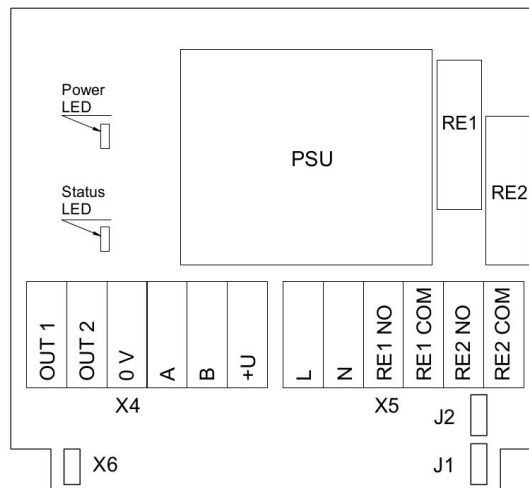
Version without PSU and relays



Version without PSU and with relays



Version with PSU and without relays



Version with PSU and relays

Jumpers

J1	OUT1 type (open: 4-20 mA; closed 0-10 V)
J2	OUT2 type (open: 4-20 mA; closed 0-10 V)
X6	Reset Modbus network parameters to default

X4 terminals

OUT1	4-20 mA / 0-10 V output
OUT2	4-20 mA / 0-10 V output
0V	0 V / 24 VAC Neutral (optional)
A	RS485 A / Data +
B	RS485 B / Data -
+U	+24 VDC / 24 VAC Phase (optional)

X5 terminals (optional)

L	90...265 VAC Phase
N	90...265 VAC Neutral
RE1 NO	Relay 1, normally open terminal
RE1 COM	Relay 1, common terminal
RE2 NO	Relay 2, normally open terminal
RE2 COM	Relay 2, common terminal

