

Petrochemical Thermometer ET4xx-S011

7 years
battery

IP67

±0,3°C

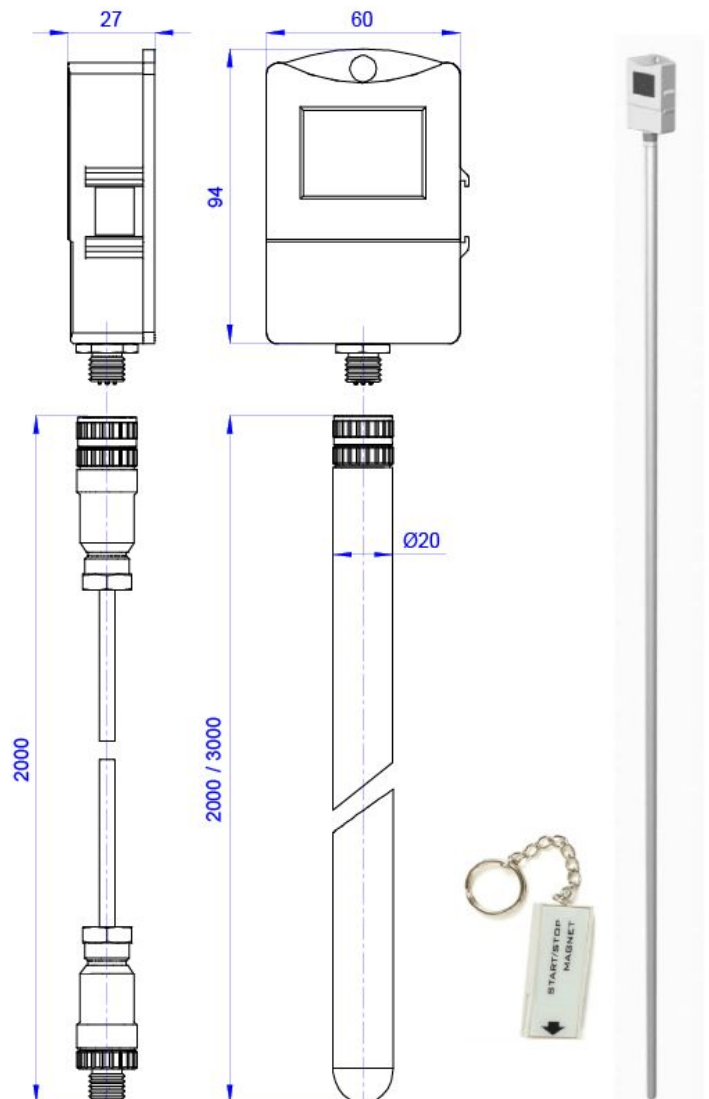


Features

- Measurement in tanks at 2 or 3 m depth
- Excellent accuracy and reliability
- Compact lightweight housing, detachable probes
- Large LCD display, optional logging function
- Dust-proof IP67 protected design, no moving parts

Specifications

| | |
|--------------------------|---|
| Measurement range | -50...+100 °C |
| Resolution | 0,1 °C |
| Accuracy | < ±0,3 °C @ -50...+50 °C ±0,4 °C @ +50...+100 °C |
| Sampling interval | 10 seconds |
| Response time in fuel | ~30 seconds |
| Self-diagnostics | Full functionality check at switch-on |
| Power supply | 3,6 V AA Lithium battery, |
| Typical battery lifetime | 7 years |
| LCD display | Measured temperature value, optionally min / max values |
| Indication module | Light grey ABS, H94 × W60 × D27 mm, weight 120 g, protection class IP67 |
| Logging function | Up to 32 000 temperature values, |
| logging interval | from 10 s to 24 h |
| Switching on / off | by magnet (no mechanical switch) |
| Probe connection | M12 industrial round connector, IP67 |
| Temperature probe | aluminium alloy, Ø20 mm |
| Probe extension cable | FEP insulation, 2×M12 connectors, protection IP67, length 2 m |
| Operating environment | industrial and field conditions |
| Operating conditions | -30...+70 °C, 0...100 %RH |
| EMC compatibility | to 2004/108/EC and EN61326-1 |
| ATEX conformity | to 94/9/EC Directive Zone 2/22 locations II 3 GD EEx nL II T1...T6 |



Thermometer versions

ET432-S011 stem length L = 2 m, round tip, weight 500 g

ET433-S011 stem length L = 3 m, round tip, weight 700 g

ET452-S011 stem length L = 2 m, sharp tip, handle, weight 700 g

ET453-S011 stem length L = 3 m, sharp tip, handle, weight 950 g

